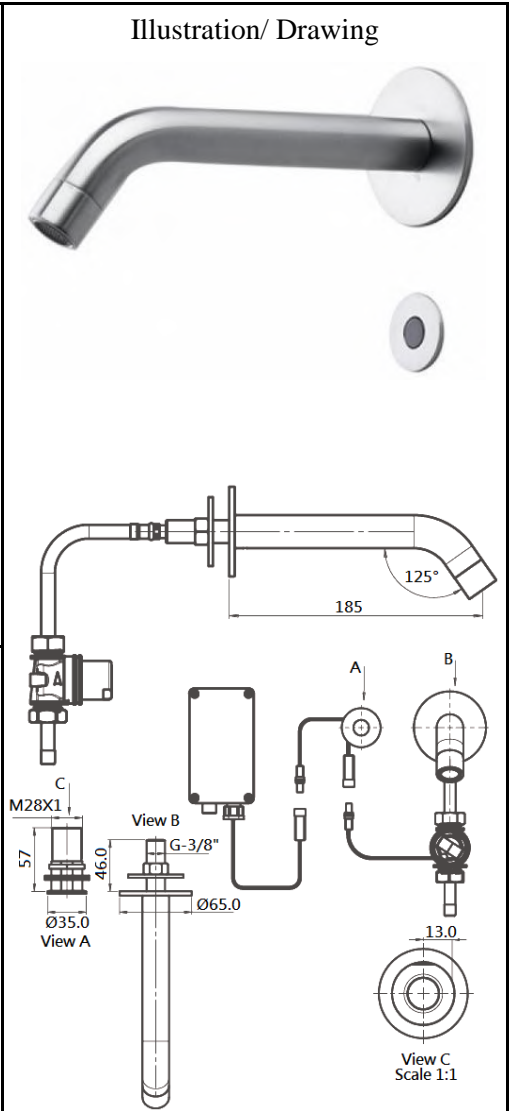




PROJECT		REF		REV	ITEM CODE	
LOCATION		DATE			PAGE	

SANITARY WARE SPECIFICATION SHEET

Item Descriptions	Stern (Israel) "Extreme WM " Chrome plated wall mounted sensor faucet in 9V DC Supply with IP67 waterproof battery box
Dimensions	185 mm Long
Model	Extreme WM B
Code Number	340300
Finish	Chrome Plated
Supplier	Acme Sanitary Ware Co. Ltd Mr. Eric Wong/ Mr. Don Yuen
Contact Tel/Fax	(852) 2388-7171 / (852) 2710-8012
E-mail	acme@acmesanitary.com.hk
Website	www.acmesanitary.com.hk



EXTREME WM B
Ref # 340300

Touch-free wall-mounted electronic faucet. For cold or premixed water. Offered with a proximity infrared sensor or a wave on-off infrared sensor. Chrome plated body, other finishes available. Includes a low battery indicator. The Adjustable settings by remote control: sensor range, security time, delay in, delay out, on-off and reset to factory settings.

Application:

Wall-mounted faucet. Combines a minimalistic design with vandal resistant features. Helps washrooms stay clean and saves water. Ease installation. Long lasting even in the harshest installation sites. Ideal for shopping malls, sport facilities and entertainment centers.

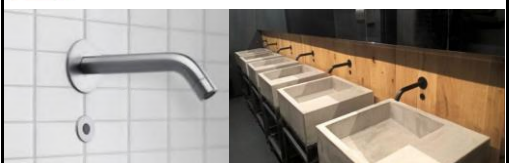
Use:

With Proximity sensor: The faucet will automatically activate when users place their hands in the sensor range and will stop once the users remove their hands.

With Wave on-off sensor: The faucet will activate for an 8-second flow time when users place their hands in close proximity to the sensor. Removing the hands stops the faucet operation. Flow time is adjustable on site.

- Installation:**
Wall mounted duct concealed
- Water supply:**
Cold or premixed water (1 inlet)
- Water temperature:**
Max 70 °C
- Operating pressure:**
0.5 - 8.0 bar
- Power source:**
IP67 battery box

ORDERING INFORMATION		PRODUCT AT A GLANCE	
PRODUCT NAME	PART NUMBER	Installation	Duct concealed
EXTREME WMB	340300	Power supply options	IP 67 battery box with 6 x 1.5V AA Alkaline battery. 9 V Transformer
EXTREME WME	340200	Operating pressure	0.5 - 8.0 bar (7 - 116 PSI).
EXTREME WML B	340400	Water temperature	Max 70°C
EXTREME WML E	340500	Water Supply	Cold or premixed water
		Flow Time	8 seconds. Adjustable with the Stern remote control
		Wave on-off sensor preset range	50mm. Adjustable



* All information of the above is for the reference only. No prior notice is made if any changes.



水務署

Water Supplies Department

香港灣仔告士打道七號入境事務大樓
Immigration Tower, 7 Gloucester Road, Hong Kong

電子郵遞
e-mail wsdinfo@wsd.gov.hk

電話
Telephone 2829 4355

圖文傳真
Facsimile 2829 4355

檔號
Reference (4) in WSD 3321/16 Pt.1 T/J(1701)



Approval of "STERN" Combination Tap Assemblies

Your letters ref. FY161216A and FY170111A dated 16 December 2016 and 11 January 2017 respectively refer.

It is noted that the fittings described below have been accepted by the United Kingdom Water Regulations Advisory Scheme (WRAS) to have complied with the requirements of the United Kingdom Water Supply (Water Fittings) Regulations / Scottish Water Byelaws when correctly installed.

Name of Manufacturer: Y Stern Engineering (1989) Ltd

Country of Origin: Israel

Brand: Stern

Details of Fittings: 'Extreme' range of wall mounted spout outlets (chromium plated brass). The flow is controlled via a solenoid valve and activated by an infra-red sensor. The spout outlet incorporates a plastic aerator. Supplied with metal backnut. Maximum operating temperature 70°C.

Model: Extreme WMB & Extreme WME

Size: 10mm stainless steel braided, PEX lined hose assemblies with ½" BSP end connections.

Marking: 'Stern' located on face of sensor

WRAS Approval Number: 1612702

Installation Requirements: R001, R009, R040

Expiry Date: 31 December 2021

In view of the acceptance by WRAS, this Authority has no objection to the use of the said fittings in fresh water plumbing systems subject to full adherence to Waterworks installation requirements. In particular, you are required to draw your customers' attention to the following installation requirements –

“Installation shall comply with the ‘Installation Requirements & Notes’ of the WRAS’s approval letter concerned.”

“The cold water supply to the fittings shall be drawn from the same source that supplies the hot water apparatus so as to provide a balanced pressure and to obviate the risk of scalding in the event of a restriction or failure in the water supply.”

“A stop cock or gate valve must be installed at the upstream of the fittings for manual isolation of water supply.” AND

“The main voltage operated sensor valve should comply with the electricity safety regulation for applications in bathroom, toilet etc.”

A condition of this acceptance is that the fittings to be installed should be replicas of the samples certified by WRAS and no modification should be made to the fittings. This acceptance may be withdrawn at any time if the standard of the fittings installed fails to meet that of the approved samples or if the fittings are found to be unsuitable for use in fresh water plumbing systems.

This acceptance is only applicable to the main body of the fittings, unless other specified.

For the use of the fittings in any project, the Acceptance Reference Number at the bottom of this letter must be quoted as a means of identification of acceptance of the fittings by this Authority.

Should you have any enquiries, please contact our Engineer Mr Terry KUNG at tel. no. 2294 2656.

Yours faithfully,



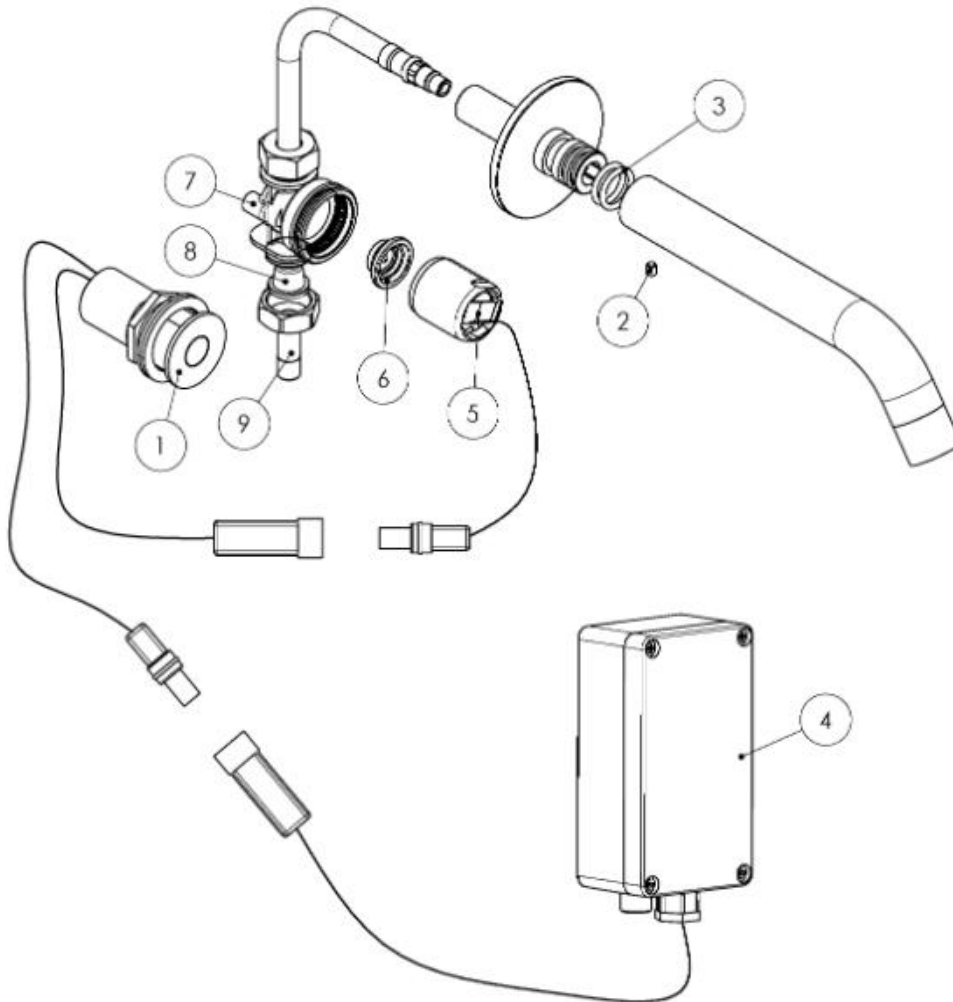
(CHAN Chung Kun)
for Water Authority

c.c. WSD 3321/1/82] - without catalogue
 ME/MC] - with soft copy only



SPARE PARTS LIST

Extreme WMB (340300)



Quantity	Part Number	Description	Cat. No.
-	-	Seals and Screws Kit	07210078
2	3	O-ring	
1	2	Screw	
1	1	Wave Sensor Kit	07225022
-	-	Solenoid B-Housing Kit	07231008
1	7	Solenoid valve's body	
1	8	Filter	
1	9	Nipple	
-	-	Solenoid Valve Kit	07230017
1	5	Solenoid valve	
1	6	Diaphragm	
6	6	Diaphragm	04500001
4	4	IP 67 Battery box	06530020

Note: In order to locate the relevant spare part, please check the corresponding parts and part number in the drawing. Minimum order quantity will be required.

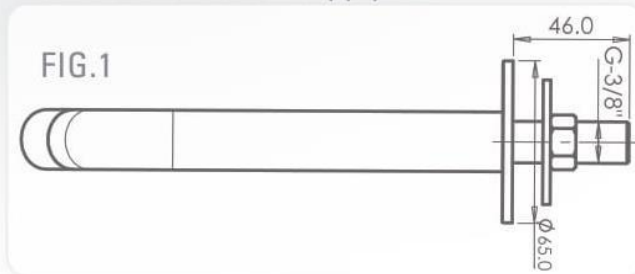
** All information of the above is for the reference only. No prior notice is made if any changes.*



FAUCET INSTALLATION

Step 1 – Installing the faucet

1. Shut off the water supply.

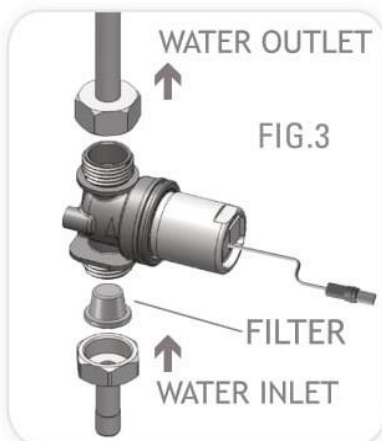
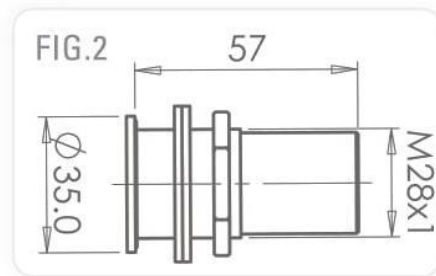


2. Drill an appropriate hole at the place where you want to install the spout of the tap. See FIG.1.

3. Insert the spout through the wall and fix the base behind the wall with the hexagonal nut and the disk.

4. Drill a hole at the place where you want to install the sensor unit. See FIG.2.

5. Insert the electronic unit through the wall or other surface where you want to place it and fix the base behind the wall with the hexagonal nut and the disk.



Step 2 - Connecting the water supply

1. Fit the pipe from the spout base to the solenoid valve housing.

2. Fit the water supply inlet to the filter adapter at the solenoid housing. See FIG.3.

Note: Make sure the filters are located between the solenoid housing and the water inlet.

Step 3 - Connecting the power source

1. Connect the cable coming from the wave electronic unit to the solenoid valve connector.

2. Connect the other cable coming from the wave electronic unit to the power source connector (battery box or transformer).

3. Turn on the central water supply. Check for leaks.

4. If the automatically adjusted sensor range is not satisfactory to your purposes, please refer to the section entitled "Settings adjustment".



TROUBLE SHOOTING

PROBLEM

INDICATOR

CAUSE

SOLUTION

No water coming out of the tap

Sensor flashes continuously when user's hands are within the sensor's range.

Low batteries.

Replace batteries.

Range is too short.

Increase the range.

Range is too long.

Decrease the range.

Batteries are completely used up.

Replace batteries.

Sensor is picking up reflections.

Eliminate cause of reflection.

Red light in the sensor does not flash once when user's hands are within the sensor's range.

Connectors between the electronic unit and the solenoid are disconnected.

Connect the electronic unit connectors to the solenoid.

Debris or scale in solenoid.

Unscrew solenoid, pull out the plunger and the spring from the solenoid and clean them. Use scale remover material if needed. When replacing the plunger, please make sure that the spring is in vertical position.

The central orifice in the diaphragm is plugged or the diaphragm is torn.

Clean the orifice or replace diaphragm.

The water supply pressure is higher than 8 bars.

Reduce the water supply pressure.

Red light in the sensor flashes once when user's hands are within the sensor's range.

Water flow from spout does not stop

Sensor flashes once when user's hands are within the sensor's range.

Debris or scale in diaphragm.

Clean the orifice or replace diaphragm.

Red light in the sensor does not flash once when user's hands are within the sensor's range.

Sensor is dirty or covered.

Clean or eliminate cause of interference.

Sensor is picking up reflections from the washbasin or another object.

Decrease the range or eliminate cause of reflection.

Water flow diminished

Filter or aerator is clogged.

Remove, clean, re-install.